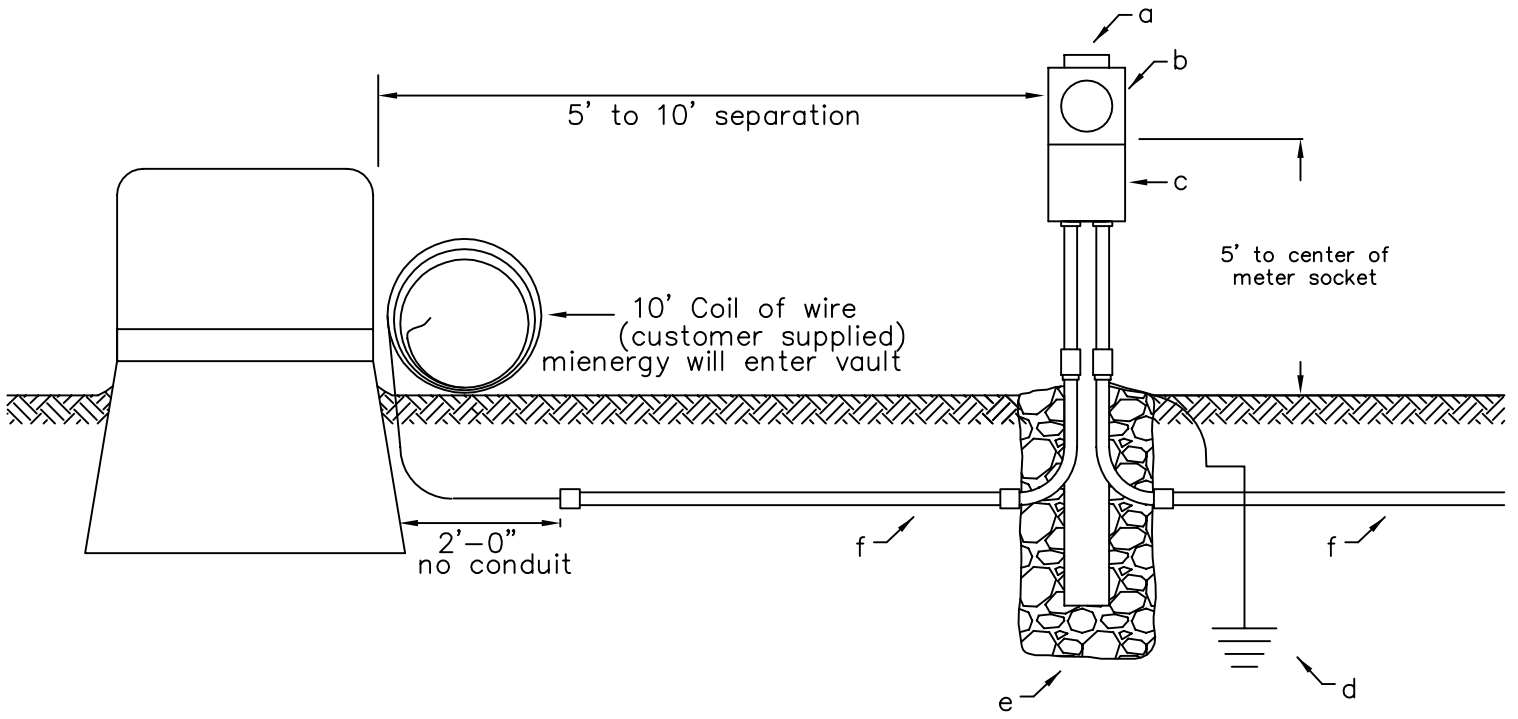


NOTES:

1. direct bury rated wire only
2. conduit optional



ITEM	To be supplied and installed by contractor/homeowner:
a	6X6 treated post or back board (see WPMS-1)
b	Applicable amp rated lever bypass meter socket
c	Applicable amp rated service disconnect
d	Grounding in accordance with NEC requirements
e	Gravel backfill
f	Source and load side wire in accordance with NEC requirements



STANDARD FOR UNDERGROUND SERVICE
FROM UNDERGROUND TRANSFORMER
100AMP, 200AMP OR 320AMP

JAN 2020	BY: JDG	UGS-2
----------	---------	-------