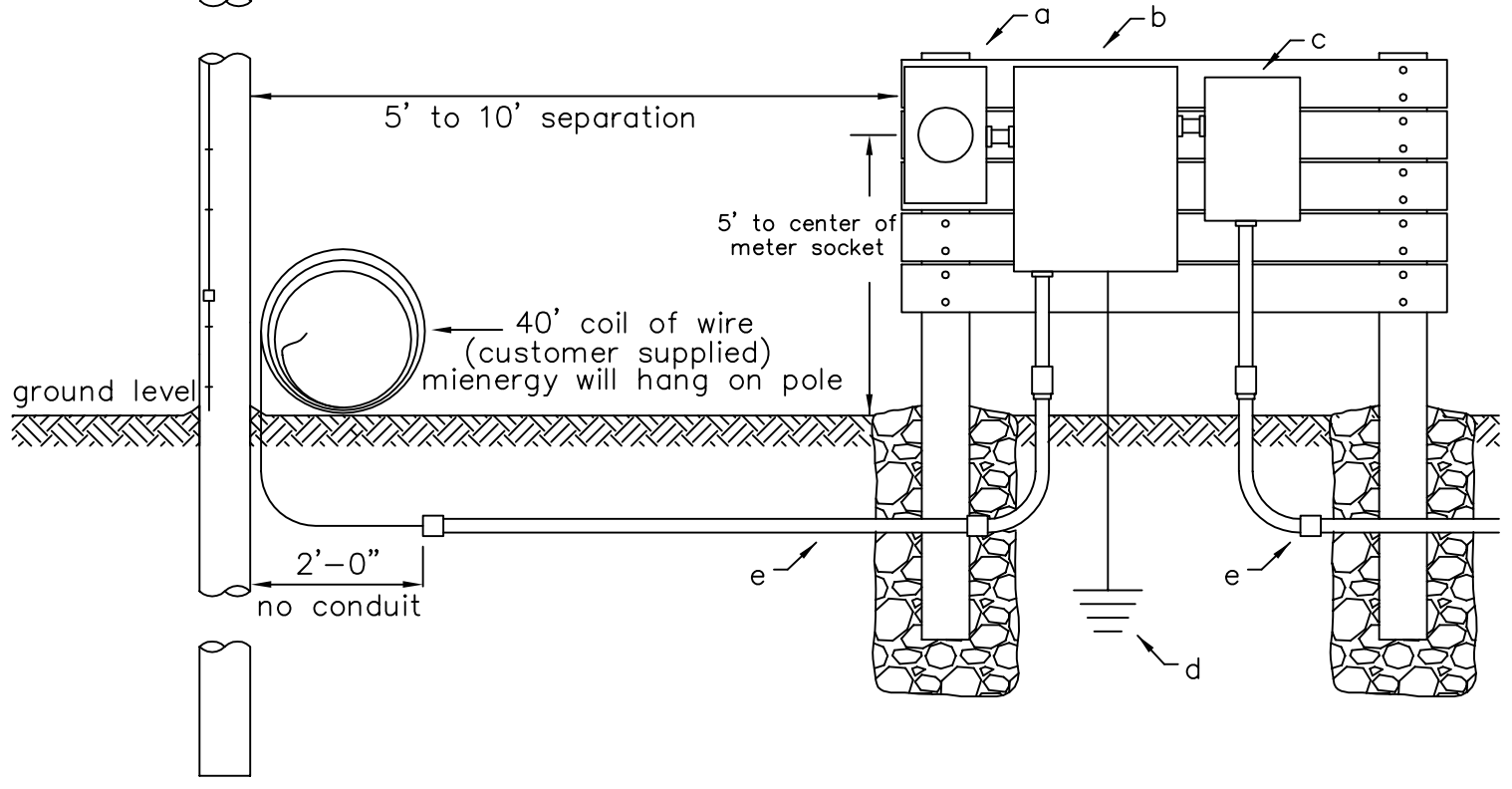


NOTES:

1. direct bury rated wire only
2. conduit optional
3. see associated drawing WPMS-1 or associated drawing SPMS-1



ITEM	To be supplied and installed by contractor/homeowner:
a	Applicable meter socket
b	Applicable amp rated CT cabinet
c	Applicable amp rated over current disconnect
d	Grounding in accordance with NEC requirements
e	Source and load side wire in accordance with NEC requirements



STANDARD FOR UNDERGROUND SERVICE
FROM OVERHEAD TRANSFORMER POLE
400AMP OR GREATER

JAN 2020	BY: JDG	UGS-400-1
----------	---------	-----------